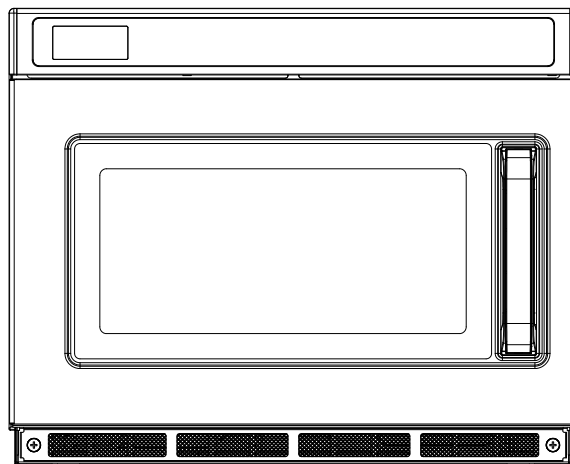




MW18Ti

Commercial Microwave Oven

Operation Manual



PLEASE KEEP THIS DOCUMENT FOR FUTURE REFERENCE

www.maestrowave.com
customerservice@maestrowave.com

Sole Worldwide Distributor:

R H Hall, Hallco House, Beacon Court, Pitstone Green Business Park, Pitstone, Bedfordshire, LU7 9GY
Tel: 01296 663400 Email: customerservice@rhhall.com Web: www.rhhall.com

PRECAUTIONS TO AVOID POSSIBLE EXPOSURE TO EXCESSIVE MICROWAVE ENERGY

1. Do not attempt to operate this oven with the door open since open-door operation can result in harmful exposure to microwave energy. It is important not to disable or tamper with the safety interlocks.
2. Do not place any object between the front of the oven and the door or allow dirt or cleaner residue to accumulate on sealing surfaces.
3. Do not operate the oven if it is damaged. It is very important that the oven door closes properly and that there is no damage to the
 - a) Door (including any dents)
 - b) Hinges and latches (broken or loose)
 - c) Door seals and sealing surfaces.
4. The oven should not be adjusted or repaired by anyone except qualified service personnel.

CONTENTS

PRECAUTIONS TO AVOID POSSIBLE EXPOSURE TO EXCESSIVE MICROWAVE ENERGY	1
IMPORTANT SAFETY INSTRUCTIONS	2
GROUNDING INSTRUCTIONS	3
RADIO INTERFERENCE	3
SPECIFICATIONS.....	3
INSTALLATION GUIDE	4
BEFORE CALLING FOR SERVICE	5
COOKING TECHNIQUES	5
COOKING UTENSILS GUIDE	5
PRODUCT DIAGRAM	6
CONTROL PANEL.....	6
DIGITAL DISPLAY ACTION INDICATORS	6
OPERATION INSTRUCTIONS	7
Microwave cooking	7
Maximum cooking times.....	7
Auto Cook	8
X2 Function	8
Change rate	9
Check function	9
Query usage times	9
Query memory information.....	9
Set memory functions.....	10
Using Menu Creator™ Software.....	11
Uploading and downloading Menu Creator™ programs via USB	12
Child lock.....	13
Failure diagnosis.....	13
Filter cleaning.....	13
CLEANING AND CARE	14

IMPORTANT SAFETY INSTRUCTIONS

When using electrical appliances, basic safety precautions should be followed, including the following:

WARNING! To reduce the risk of burns, electric shock, fire, injury to persons or exposure to excessive microwave energy:

1. Use this appliance only for its intended use as described in the manual. Do not use corrosive chemicals or vapours in this appliance. This type of oven is specifically designed to heat and cook food. It is not designed for industrial or laboratory use.
2. Do not operate the oven when empty.
3. Do not operate this appliance if it has a damaged cord or plug, if it is not working properly, or if it has been damaged or dropped. If the supply cord is damaged, it must be replaced by the manufacturer, authorised service agent or a similarly qualified person in order to avoid a hazard.
4. **WARNING!** Only allow children to use the oven without supervision when adequate instructions have been given so that the child is able to use the oven in a safe way and understands the hazards of improper use.
5. To reduce the risk of fire in the oven cavity:
 - When heating food in a plastic or paper container, monitor the oven due to the possibility of ignition.
 - Remove wire twist-ties from paper or plastic bags before placing in oven.
 - If smoke is observed, switch off or unplug the appliance and keep the door closed in order to stifle any flames.
 - Do not use the cavity for storage purposes. Do not leave paper products, cooking utensils, or food in the cavity when not in use.
 - The microwave oven is intended for heating food and beverages. Drying of food or clothing and heating of warming pads, slippers, sponges, damp cloth and similar may lead to risk of injury, ignition or fire.
6. **WARNING!** Liquid or other food must not be heated in sealed containers since they are liable to explode.
7. Microwave heating of beverages can result in delayed eruptive boiling, therefore care has to be taken when handling the container.
8. Do not fry food in the oven. Hot oil can damage oven parts and utensils and even result in skin burns.
9. Eggs in their shell and whole hard-boiled eggs should not be heated in microwave ovens since they may explode even after microwave heating has ended.
10. Pierce foods with heavy skins such as potatoes, whole squashes, apples and chestnuts before cooking.
11. The contents of feeding bottles and baby food jars should be stirred or shaken and the temperature should be checked before serving in order to avoid burns.
12. Cooking utensils may become hot because of heat transferred from the heated food. Gloves may be needed to handle the utensil.
13. Utensils should be checked to ensure that they are suitable for use in microwave oven.
14. **WARNING!** It is hazardous for anyone other than a trained person to carry out any service or repair operation which involves the removal of any cover which gives protection against exposure to microwave energy. This includes changing the power cord or bulbs.
15. This product is a Group 2 Class B ISM equipment. The definition of Group 2 which contains all ISM (Industrial, Scientific and Medical) equipment in which radio-frequency energy is intentionally generated and/or used in the form of electromagnetic radiation for the treatment of material, and spark erosion equipment. For Class B equipment is equipment suitable for use in domestic establishments and in establishments directly connected to a low voltage power supply network which supplies buildings used for domestic purpose.
16. This appliance is not intended for use by persons (including children) with reduced physical, sensory or mental capabilities, or lack of experience and knowledge, unless they have been given supervision or instruction concerning use of the appliance by a person responsible for their safety.
17. Children should be supervised to ensure that they do not play with the appliance.
18. The microwave oven is only for use as a freestanding appliance.
19. **WARNING!** Do not install oven over a range cook top or other heat-producing appliance. This could lead to damage to the microwave and invalidation of the warranty.
20. The microwave oven should not be placed in a cabinet.
21. **WARNING!** The appliance and its accessible parts become hot during use. Young children should be kept away.
22. Care should be taken to avoid touching heating surfaces inside the oven.
23. The temperature of accessible surfaces may be high when the appliance is operating.

24. **WARNING!** If the door or door seals are damaged, the oven must not be operated until it has been repaired by a competent person.
25. The appliances are not intended to be operated by means of an external timer or separate remote-control system.
26. The appliance may be placed against a wall, provided sufficient air flow is provided (see P4).
27. Never remove the distance holder in the back or on the sides, as it ensures a minimum distance from the wall for air circulation.
28. The microwave oven is intended for defrosting, cooking and steaming of food only.
29. Use gloves if you remove any heated food.
30. **CAUTION!** Steam will escape, when opening lids or uncovering food.
31. If smoke is emitted, switch off or unplug the appliance and keep the door closed in order to stifle any flames.

GROUNDING INSTRUCTIONS

This appliance must be grounded. This oven is equipped with a cord having a grounding wire with a grounding plug. It must be plugged into a wall socket that is properly installed and grounded. In the event of an electrical short circuit, grounding reduces risk of electric shock by providing an escape wire for the electric current. It is recommended that a separate circuit serving only the oven be provided. Using a high voltage is dangerous and may result in a fire or other accident causing oven damage.

WARNING! Improper use of the grounding plug can result in a risk of electric shock.

Note:

1. If you have any questions about the grounding or electrical instructions, consult a qualified electrician or authorised service agent.
2. Neither the manufacturer nor the dealer can accept any liability for damage to the oven or personal injury resulting from failure to observe the electrical connection procedures.

The wires in this cable main are colored in accordance with the following code:

Green and Yellow = EARTH

Blue = NEUTRAL

Brown = LIVE

RADIO INTERFERENCE

Operation of the microwave oven can cause interference to your radio, TV, or similar equipment. When there is interference, it may be reduced or eliminated by taking the following measures:

1. Clean door and sealing surface of the oven.
2. Reorient the receiving antenna of radio or television.
3. Relocate the microwave oven with respect to the receiver.
4. Move the microwave oven away from the receiver.
5. Plug the microwave oven into a different outlet so that microwave oven and receiver are on different branch circuits.

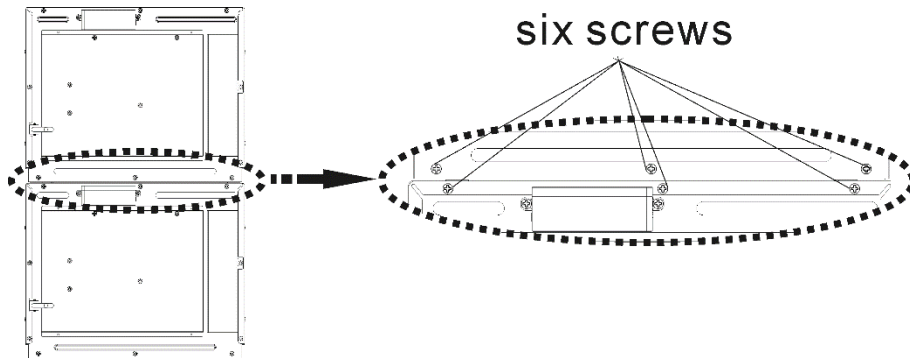
SPECIFICATIONS

Power Consumption	230V/50Hz, 2800W(microwave)
Output	1800W
Operation Frequency	2450MHz
Outside Dimensions	338mm(H)×420mm(W)×515mm(D)
Oven Cavity Dimensions	175mm(H)×330m(W)×310mm(D)
Oven Capacity	Compact 18 Litres
Net Weight	Approx. 18.2kg

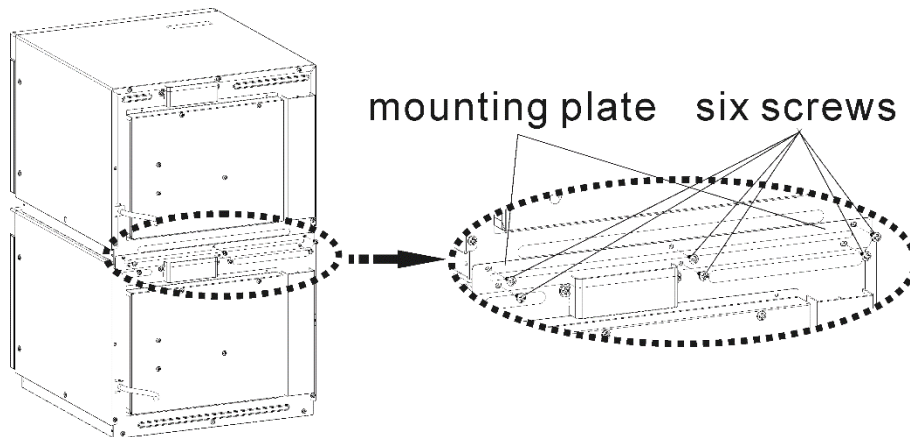
INSTALLATION GUIDE

1. Make sure that all the packing materials are removed from the inside of the door.
2. **WARNING!** Check the oven for any damage, such as misaligned or bent door, damaged door seals or sealing surface, broken or loose door hinges and latches and dents inside the cavity or on the door. If there is any damage, do not operate the oven and contact qualified service personnel.
3. This microwave oven must be placed on a flat, stable surface that is able to hold its weight and the heaviest food that is likely to be cooked in the oven.
4. Do not place the oven where heat, moisture, or high humidity are generated, or near combustible materials.
5. For correct operation, the oven must have sufficient airflow. Allow 20 cm of space above the oven, 10 cm at back and 5 cm at both sides. Do not cover or block any openings on the appliance. Do not remove feet.
6. Make sure that the power supply cord is undamaged and does not run under the oven or over any hot or sharp surface.
7. The socket must be readily accessible so that it can be easily unplugged in an emergency.
8. Do not use the oven outdoors.
9. Stacking and installation of the microwave oven. The maximum height of stacking shall be two units. The specific stacking installation is as follows:

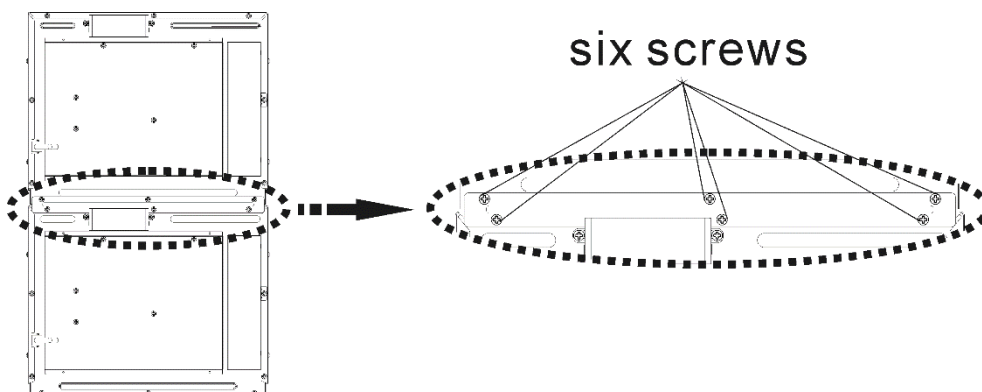
(A) Remove the 6 screws indicated in the figure below.



(B) Attach the mounting plate between the two machines and align the corresponding screw holes.



(C) Install the 6 screws back to their original positions and tighten the screws



BEFORE CALLING FOR SERVICE

Before asking for service, please check each item below:

- Check to ensure the oven is plugged in securely. If not, remove the plug from the outlet, wait 10 seconds, and plug it in again securely.
- Check for a blown circuit fuse or a tripped main circuit breaker. If these seem to be operating properly, test the outlet with another appliance.
- Check to ensure the control panel is programmed correctly and the timer is set.
- Check to ensure the door is securely closed, engaging the door lock system. If the door is not properly closed, the microwave energy will not flow inside.

IF NONE OF THE ABOVE RECTIFIES THE SITUATION, THEN CONTACT A QUALIFIED TECHNICIAN. DO NOT TRY TO ADJUST OR REPAIR THE OVEN YOURSELF.

COOKING TECHNIQUES

1. Arrange food carefully. Place thickest areas towards outside of dish.
2. Watch cooking time. Cook for the shortest amount of time indicated and add more as needed. Food severely overcooked can smoke or ignite.
3. Cover foods while cooking. Covers prevent spattering and help foods to cook evenly.
4. Turn foods over once during microwave cooking to speed up cooking of such foods as chicken and hamburgers. Large items like roasts must be turned over at least once.
5. Rearrange foods such as meatballs halfway through cooking both from top to bottom and from the center of the dish to the outside.

COOKING UTENSILS GUIDE

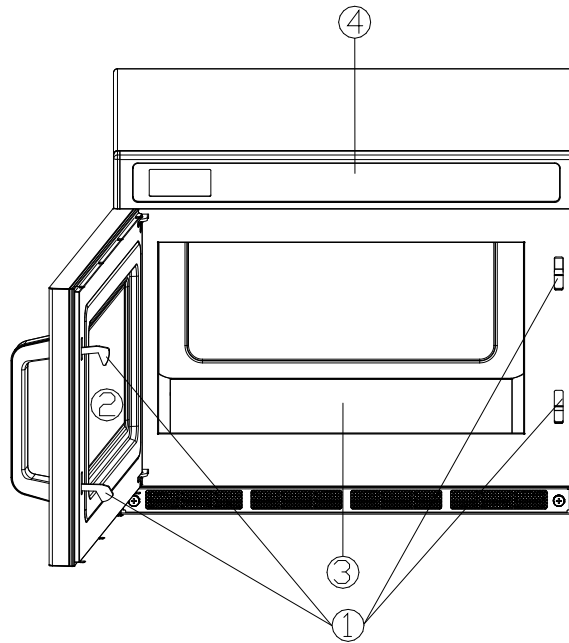
1. Microwaves cannot penetrate metal. Only use utensils that are suitable for use in microwave ovens. Metallic containers for food and beverages are not allowed during microwave cooking.
2. Microwaves cannot penetrate metal, so metal utensils or dishes with metallic trim should not be used.
3. Do not use recycled paper products when microwave cooking, as they may contain small metal fragments which may cause sparks and/or fires.
4. Round/oval dishes rather than square/oblong ones are recommend, as food in corners tends to overcook.
5. Narrow strips of aluminum foil may be used to prevent overcooking of exposed areas. Only use small amounts and keep a distance of 1 inch (2.54 cm) between foil and cavity.
6. The food needs to be placed in a container and then heated on the ceramic plate.

The list below is a general guide to help you select the correct utensils.

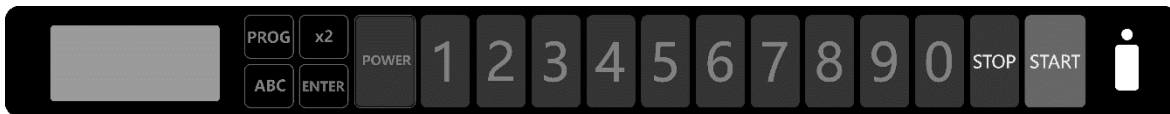
Cookware	Suitable for Microwave Cooking?
Heat-Resistant Glass	Yes
Non Heat-Resistant Glass	No
Heat-Resistant Ceramics	Yes
Microwave-Safe Plastic Dish	Yes
Kitchen Paper	Yes
Metal Tray	No
Metal Rack	No
Aluminum Foil & Foil Containers	No

PRODUCT DIAGRAM

1. Door Safety Lock System
2. Oven Window
3. Cavity Base
4. Control Panel



CONTROL PANEL



- **DISPLAY**

Cooking time, power and indicators are displayed.

- **PROG**

Use to store program, memory lock, lamp, etc.

- **X2**

Use to increase cooking time.

- **ABC**

Use to select menu programs A, B or C

- **ENTER**

Used to save settings

- **POWER**

Press to set power level.

- **NUMBER PADS (0-9)**

Use to set time or select menu.

- **STOP**

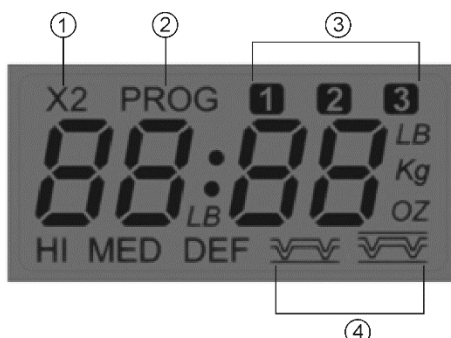
Press once to temporarily stop cooking, or twice to cancel cooking altogether.

It is also used to set child lock.

- **START**

Press to start the cooking program.

DIGITAL DISPLAY ACTION INDICATORS



- ① X2 indicating cooking in X2 feature.
- ② PROG indicating program setting
- ③ Numbers indicating the cooking stage.
- ④ Indicating power level used in cooking.

OPERATION INSTRUCTIONS

- When the oven is first plugged in, the display shows for 2 seconds and a beep will sound, then returns to standby mode and the display shows "0".
- During setting, if no action is taken within 1 minute, the oven will return to standby mode.
- During cooking, press the STOP button once or open the door, to pause the program. Close the oven door and then press START button to resume, or press STOP again to cancel the program.
- After cooking ends, the display shows "0000" and a beep will sound every two minutes until the user opens the door.
- After cooking ends or a period of no use, the oven fan will work for about 1 minute automatically to cool the oven.

MICROWAVE COOKING

Your oven can be programmed for up to 3 microwave cooking stages.

1. In standby mode, open the oven door and place the food, close it.
2. Input the first microwave cooking program: Press POWER button repeatedly to select power level, then use number buttons to set cooking time.
3. If required, input the second microwave cooking program: Press POWER button repeatedly to select power level, then use number buttons to set cooking time.
4. If required, input the third microwave cooking program: Press POWER button repeatedly to select power level, then use number buttons to set cooking time.
5. Press START button to confirm. To clear the program, press STOP.

Press POWER button to select power level:

Press POWER button	Power (Display)	Press POWER button	Power (Display)
Once	100% (P 10)	7 times	40% (P 04)
Twice	90% (P 09)	8 times	30% (P 03)
3 times	80% (P 08)	9 times	20% (P 02)
4 times	70% (P 07)	10 times	10% (P 01)
5 times	60% (P 06)	11 times	0% (P 00)
6 times	50% (P 05)		

NOTE:

- During cooking, the display shows the countdown of three total cooking times, and you can press POWER button to check cooking power level.
- When the first section of cooking is running, "1" will flash, "2" and "3" will be static. When the second section of cooking is running, the "1" is off, "2" flashes and "3" static. When running the third section of cooking, the "1" and "2" are off and "3" flashes.
- After cooking end, you can open the oven door and place more food, close the door, then press START button to start or press STOP button to return to standby mode.

MAXIMUM COOKING TIMES

Your oven is preset to allow specific maximum cooking times, depending on the power level and number of stages.

Single Stage		Multi-Stage		
Power Level	Max Cook Time	Power Level	Max Cooking Time - Single Stage	Max Cook Time - Three Stages
P10	15 Minutes	P10	15 Minutes	25 Minutes
P9	30 Minutes	P9	30 Minutes	30 minutes
P8	30 Minutes	P8	30 Minutes	30 minutes
P7	30 Minutes	P7	30 Minutes	30 minutes
P6	30 Minutes	P6	30 Minutes	30 minutes
P5	30 Minutes	P5	30 Minutes	30 minutes
P4	30 Minutes	P4	30 minutes	90 minutes
P3	30 Minutes	P3	30 minutes	90 minutes
P2	30 Minutes	P2	30 minutes	90 minutes
P1	30 Minutes	P1	30 minutes	90 minutes
P0	30 Minutes	P0	30 minutes	90 minutes

AUTO COOK

The system has 297 auto cook menus to be selected. You can adjust the power and time by operating the control panel or using a USB with Menu Creator™ software to download/upload menu settings. See pages 11-13 for further details.

To start menu cooking program:

For example: To start A-04 menu.

1. In standby mode, open the oven door and place the food, close it.
2. Press number button 4 once.
3. Press START button once.

To set cooking time and power:

For example: To set b-01 menu.

1. In standby mode, open the oven door. The oven door must remain open throughout this process.
2. Press PROG button once.
3. Press ABC button once. (For C menu options, press ABC button twice).
4. Press number button 1 once.
5. Press POWER button repeatedly to set power level.
6. Use number buttons to set cooking time.
7. Press ENTER button once.

NOTE: If you want to set the second and third segments, repeat steps 5 and 6.

For example: To start b-04 menu.

1. In standby mode, open the oven door and place the food, close it.
2. Press ABC button once. (For class C menus, press ABC button twice).
3. Press number button 4 once.
4. Press START button once.

NOTE: If the memory is set to a locked state, press the number buttons to select the menu, and wait for 2 seconds, the system will start automatically.

To delete menu data:

For example: To delete b-01 menu data.

1. In standby mode, open the oven door. The oven door must remain open throughout this process.
2. Press PROG button once.
3. Press ABC button once.
4. Press number button 1 once (press twice for C menus, do not press for A menus)
5. Press STOP button once.

X2 FUNCTION

The cooking time of the menu can be increased or decreased according to X2 button rate set. The X2 factory setting is 2.0.

For example: To cook b-04 menu with double time using X2 function.

1. In standby mode, open the oven door and place the food, close it.
2. Press X2 button once.
3. Press ABC button once.
4. Press number button 4 once.
5. Press START button to start.

NOTE:

- If you want to run class A menus, you can directly press the number buttons to select the menu after step 2. If you need to set the class C menus, press ABC button once after step 3.
- If the memory is set to a locked state, press the number buttons to select the menu, and wait for 2 seconds, the system will start automatically.
- If the cooking time after using the X2 function increases out of the allowable setting range, the microwave will not operate when the START button is pressed.

CHANGE RATE

You can change the rate through the memory settings, change range: 0.1 times - 3.0 times.

For example: To set b4 menu with 1.8 times.

1. In standby mode, open the oven door and place the food, close it.
2. Press PROG button once.
3. Press ABC button once.
4. Press number button 4 once.
5. Press X2 button once.
6. Press the numbers 1 and 8 one by one.
7. Press ENTER button to save the setting.

CHECK FUNCTION

This function is used to remind user to check whether the parts of the oven are abnormal. When the number of times of use reaches 100000 times, the display will flash "CHEC" after each heating.

To delete the "CHEC" display.

1. In standby mode, open the oven door. The oven door must remain open throughout this process.
2. Press and hold START button, then press number button 4 once.

NOTE: If restarted after a pause during cooking, the system will record the new cooking.

QUERY USAGE TIMES

This function is used to record the working times of the oven. When the number of times of use reaches 10 times, the number of the display screen will be increased by 1. When the number of times reaches 100000 times, the multi segment icon "1", "2" and "3" will be used as the highest number of times to record. For example, when the number of times of use reaches 100000 times, the display will show "1" and "0000"

1. In standby mode, open the oven door. The oven door must remain open throughout this process.
2. Press and hold START button, then press POWER button once.
3. Press STOP button to return to standby mode.

QUERY MEMORY INFORMATION

Memory information includes: ABC menu information, buzzer settings, memory lock status, CHEC times, oven lamp settings.

Query ABC menus information: query b4 menu information.

1. In standby mode, open the oven door. The oven door must remain open throughout this process.
2. Press and hold START button, then press number 1 button once.
3. Press ABC button once, then press number button 4 once.
4. Press ENTER button once. The display shows "PROG", "1" and "P10".
5. 3 seconds later, the display shows "PROG", "1" and "2:00".
6. 3 seconds later, the display shows "PROG", "2" and "P00".
7. 3 seconds later, the display shows "PROG", "2" and "00:00".
8. 3 seconds later, the display shows "PROG", "3" and "P00".
9. 3 seconds later, the display shows "PROG", "3" and "00:00".
10. 3 seconds later, the display shows "PROG" and "2 18".
11. 3 seconds later, the system returns to standby mode.

Query other memory information.

1. In standby mode, open the oven door. The oven door must remain open throughout this process.
2. Press and hold START button, then press number button 2 once. The display shows "PROG" and "P".
3. 3 seconds later, the display shows "PROG" and "L R1".
4. 3 seconds later, the display shows "PROG" and "b F1".
5. 3 seconds later, the display shows "PROG" and "P o1".
6. 3 seconds later, the display shows "PROG", "1" and "0000".
7. 3 seconds later, the system returns to standby mode.

SET MEMORY FUNCTIONS

The memory function includes: memory setting locking function, oven lamp setting function, buzzer setting function, power saving mode setting function and restore factory settings.

Memory setting locking function:

1. In standby mode, open the oven door. The oven door must remain open throughout this process.
2. Press and hold PROG button for 3 seconds.
3. Press number button 1 repeatedly to select lock (PL) or unlock (P) state (note that programs can only be added in an unlocked state)
4. Press ENTER button once.
5. Press STOP button once to return to standby mode.

NOTE:

- When the memory is set to a locked state, the system can run the automatic menu and double heating without pressing the START button. Press number buttons to select menu, and the system will start automatically after 2 seconds.
- The factory setting is "P".

Oven lamp setting function:

1. In standby mode, open the oven door. The oven door must remain open throughout this process.
2. Press and hold PROG button for 3 seconds.
3. Press number button 2 repeatedly to select light on (LR1) or light off (LR2).
4. Press ENTER button once.
5. Press STOP button once to return to standby mode.

NOTE: The factory setting is "LR1", and the lamp is on when the door is opened.

Buzzer setting function:

1. In standby mode, open the oven door. The oven door must remain open throughout this process.
2. Press and hold PROG button for 3 seconds.
3. Press number button 3 repeatedly to select treble (bF1), midrange (bF2) or bass (bF3).
4. Press ENTER button once.
5. Press STOP button once to return to standby mode.

NOTE: The factory setting is "bF1",

Power saving mode setting function

1. In standby mode, open the oven door. The oven door must remain open throughout this process.
2. Press and hold PROG button for 3 seconds.
3. Press POWER button repeatedly to select Po1→Po2→Po3→Po4.
4. Press ENTER button once.
5. Press STOP button once to return to standby mode.

NOTE:

- Po1: In standby mode, the system will return to standby mode if there is not any operation within 1 minute. Po2: 2 minutes. Po3: 3 minutes. Po4: Do not enter power saving mode.
- When the door is opened, in standby mode, if there is no operation for 15 minutes, the oven will enter the power saving mode.
- The factory setting is "Po1",

Restore factory settings:

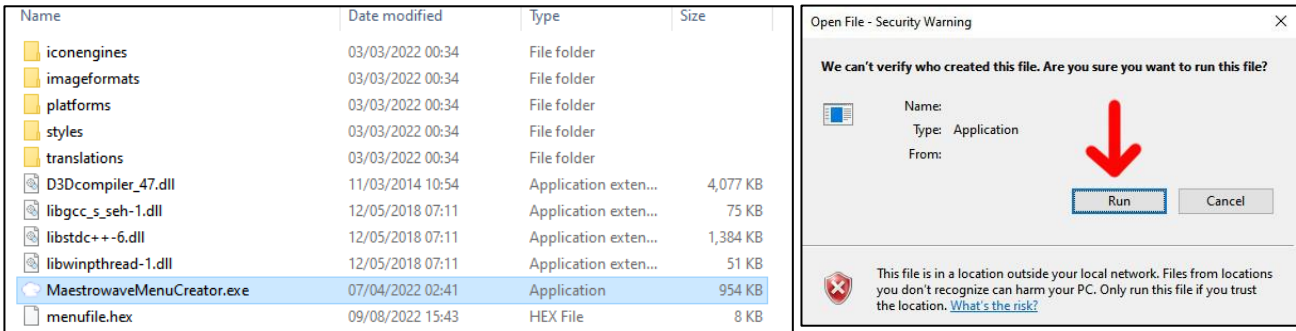
1. In standby mode, open the oven door. The oven door must remain open throughout this process.
2. Press and hold PROG button for 3 seconds.
3. Press number button 0 once.
4. Press ENTER button once.
5. Press STOP button once to return to standby mode.

USING MENU CREATOR™ SOFTWARE

Menu Creator™ Software is a unique tool that allows the user to create and edit programs via desktop computer and then upload to the machine via USB (see page 12 for detailed upload instructions).

To obtain your FREE Menu Creator™ Software, simply visit www.maestrowave.com or www.rhhall.com and complete the online Warranty Registration Form (link in page footer). We will send you a link to download the Menu Creator™ Software, as well as a free USB stick for use with your Maestrowave Microwave Oven. Or you can contact customerservice@rhhall.com or call 01296 663400.

Once you have downloaded your software, open the file 'MaestrowaveMenuCreator.exe' and select RUN.



Button functions:

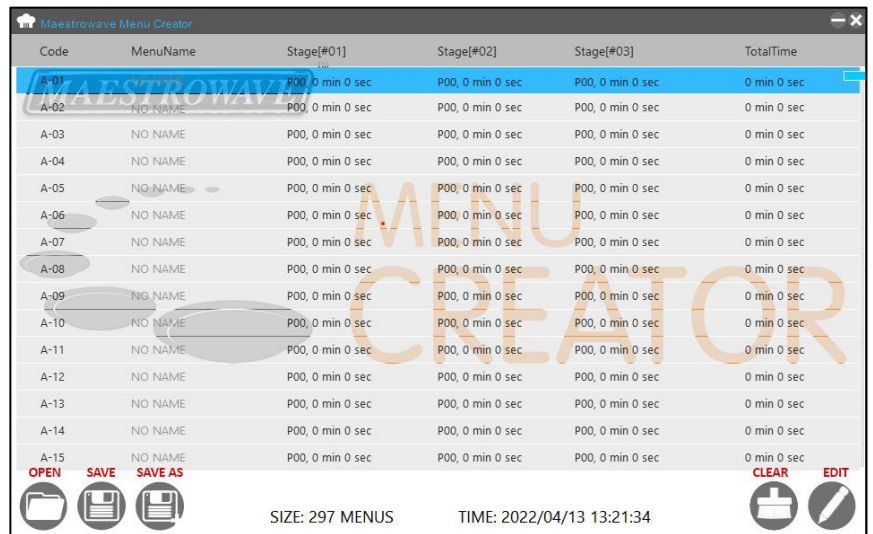
OPEN: Open a previously saved menu file for editing

SAVE: Save any changes made to the current menu file, in its current location

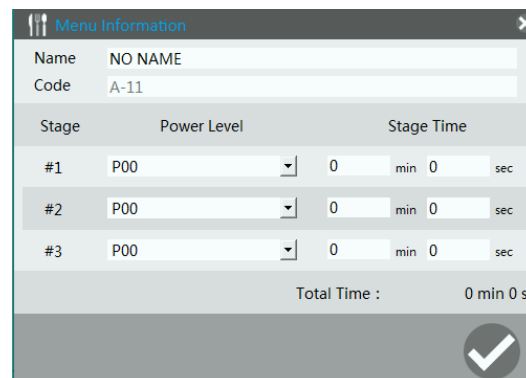
SAVE AS: Save the created menu data with a new file name, to a different location

CLEAR: Clear any created menu data

EDIT: Make changes to the selected program settings



1. First, select the program you wish to update and press the 'EDIT' button. Menu information screen will open as shown.



- Enter the program name, then select power level and time required for each cooking stage (maximum 3 stages). For further information on maximum cooking times, see page 7. If the program time selected exceeds the maximum cooking time, an error message will display. Then press the tick button to save changes.

Stage	Power Level	Stage Time
#1	P10	1 min 30 sec
#2	P05	5 min 0 sec
#3	P01	10 min 0 sec

Total Time : 16 min 30 s

- After setting all required programs, click the SAVE or SAVE AS buttons. SAVE will overwrite the current menu file. SAVE AS will create a new menu file, to be saved in a network location of your choosing. Repeat the steps above to save as many menu files as required.
- To upload to your Maestrowave Microwave Oven, the file must be saved with the name 'menufile.hex'
- Add the required menu file to your USB stick, ready for upload to the machine. This should be the only file on the USB stick. You are now ready to upload your saved menu programs to your Maestrowave Microwave Oven!

UPLOADING AND DOWNLOADING MENU CREATOR™ PROGRAMS VIA USB

Connecting the USB to the microwave:

- Connect the programmed (as above) USB drive to the USB port at the right hand side of the control panel on the microwave. A beep will sound to confirm connection.
- In standby mode, open the oven door and keep open. The display shows "0". Press and hold PROG button for 3 seconds. The display shows "PROG".

Note: For USB, the file system must be FAT32, otherwise it may not be possible to download and upload menu data.

To download microwave factory menu settings to USB for editing:

- Follow connection steps 1-2 as above
- Press number button 5 once, the display dynamically shows the download process "00FU" → "99FU", and finally shows "FHFU" and "PROG", and beep will sound to prompt upload completed.
- The programs will be generated on the USB as "UPLOAD.hex" menu data file, which can be read, edited and saved by Maestrowave Menu Creator™ Software.
- Press STOP button once.

To upload custom menu files created using Menu Creator™ to the microwave:

- Ensure the USB has the required menu settings saved as filename 'menufile.hex'. This must be the only file saved to the USB in order for the upload to function correctly.
- Follow connection steps 1-2 as above
- Press number button 4 once, the display dynamically shows the download process "00FL" → "99FL", and finally shows "FHFL" and "PROG", and beep will sound to prompt download completed.
- Press STOP button once.

A helpful video showing use of the Menu Creator™ Software and Upload/Download to the machine is available via our You Tube channel. Search 'rhhallcatering' within You Tube, or visit www.maestrowave.com or www.rhhall.com

CHILD LOCK

The lock prevents unsupervised operation by children.

To set: In standby mode, press and hold STOP button for 3 seconds, the oven will automatically enter child lock mode and the lock indicator light will turn on. In the lock state, all buttons are disabled.

To cancel the child proof lock: In child lock mode, press and hold STOP button for 3 seconds, the system will return to standby mode the display will show "0".

FAILURE DIAGNOSIS

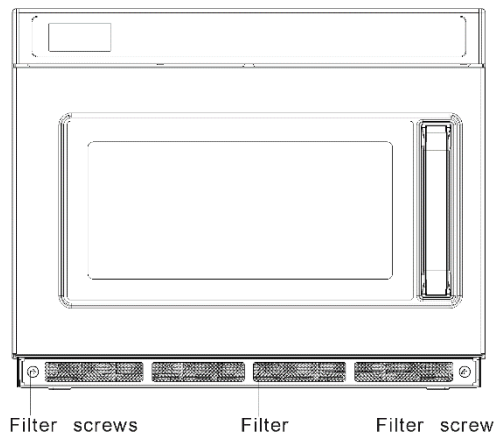
Failure	Possible reasons
An error sign "E-01" display.	VPC1 frequency conversion failure.
An error sign "E-02" display.	VPC2 frequency conversion failure.
An error sign "E-05" display.	VPC1 temperature sensor open circuit alarm.
An error sign "E-06" display.	VPC1 temperature sensor short circuit alarm.
An error sign "E-07" display.	VPC2 temperature sensor open circuit alarm.
An error sign "E-08" display.	VPC2 temperature sensor short circuit alarm.
An error sign "FOOD" display.	No load high temperature alarm.
An error sign "FALL" display.	Button adhesion alarm.

Please contact an Authorised Service Agent for assistance.

FILTER CLEANING

The front filter serves as the air inlet, the filter should be cleaned regularly depending on the kitchen conditions.

1. Turn the two screws fixing the filter screen assembly anticlockwise, remove the filter screen assembly after loosening the screws; and wash it in warm soap and water; rinse, sanitize, allow to dry.
2. Install the screen assembly and tighten the screws clockwise.
3. Make sure that the filter screen assembly is installed before using the microwave oven.



CLEANING AND CARE

1. Turn off the oven and unplug the power cord from the wall when cleaning.
2. Keep the inside of the oven clean. When food splatters or spilled liquids adhere to oven walls, wipe with a damp cloth. Mild detergents may be used if the oven gets very dirty. Avoid using spray or other harsh cleaners. They may stain, streak or dull the door surface.
3. The outside of the oven should be cleaned with a damp cloth. To prevent damage to the operating parts inside the oven, water should not be allowed to seep into the ventilation openings.
4. Wipe the door and window on both sides, the door seals and adjacent parts frequently with a damp cloth to remove any spills or splatters. Do not use abrasive cleaner.
5. Do not allow the control panel to become wet. Clean with a soft, damp cloth. When cleaning the control panel, leave oven door open to prevent oven from accidentally turning on.
6. If steam accumulates inside or around the outside of the oven door, wipe with a soft cloth. This may occur when the microwave oven is operated under high humidity condition.
7. The oven base should be cleaned regularly. Simply wipe the bottom surface of the oven with mild detergent.
8. Remove odours from your oven by combining a cup of water with the juice and skin of one lemon in a microwaveable bowl. Microwave for 5 minutes. Wipe thoroughly and dry with a soft cloth.
9. If the light bulb burns out, please contact an Authorised Service Agent to have it replaced.
10. The oven should be cleaned regularly and any food deposits should be removed. Failure to maintain the oven in a clean condition could lead to deterioration of surface that could adversely affect the life of the unit and could possibly result in a hazardous situation.
11. Your Maestrowave product is designed and manufactured with high quality materials and components which can be recycled and reused. At the end of its life, it should be disposed of separately from household waste. Please dispose of this equipment at your local community waste collection/recycling centre. According to Waste of Electrical and Electronic Equipment (WEEE) directive, WEEE should be separately collected and treated. If at any time in future you need to dispose of this product please do NOT dispose of this product with household waste. Please send this product to WEEE collecting points where available.





www.maestrowave.com
customerservice@maestrowave.com

Sole Worldwide Distributor:

R H Hall
Hallco House, Beacon Court
Pitstone Green Business Park
Pitstone, Bedfordshire
LU7 9GY

Tel: 01296 663400

Email: customerservice@rhhall.com